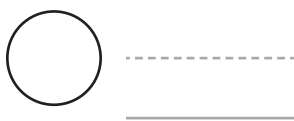
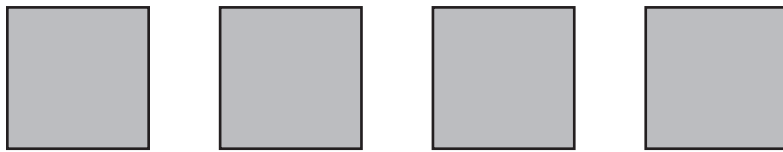
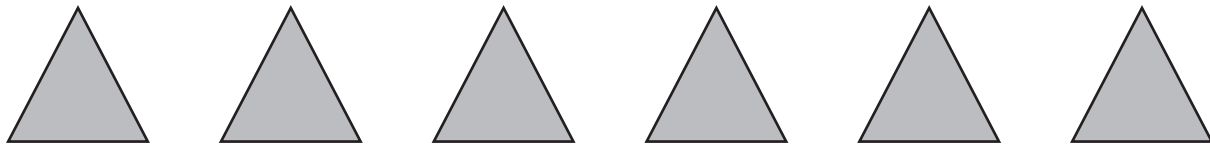
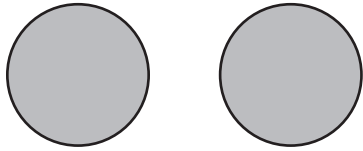


Write how many of each shape.

3.



Are there more \triangle or \square ?

Circle the answer.

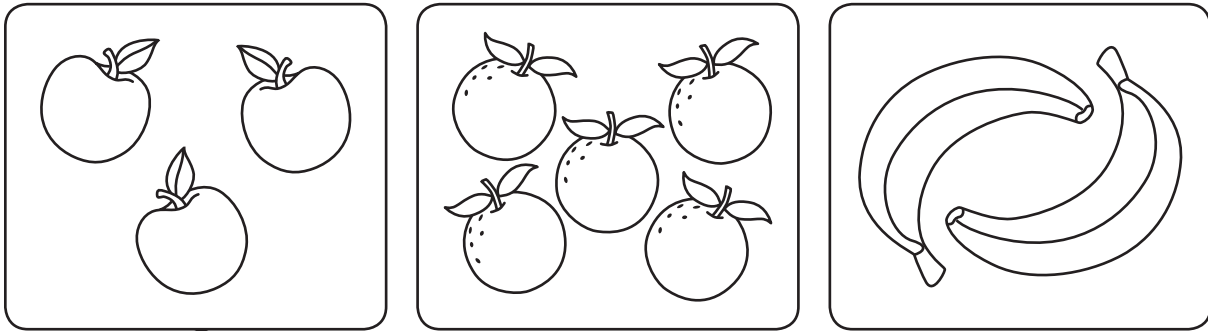
4.



How many of each fruit?

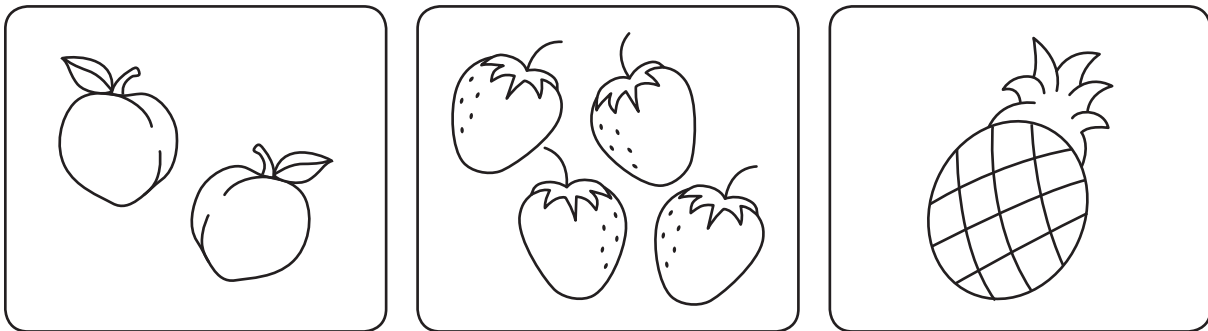
Draw a line.

5.



1	2	3	4	5
---	---	---	---	---

6.



1	2	3	4	5
---	---	---	---	---

PDMK-4 Many Ways to Sort

- Draw lines to sort by colour.
- Draw lines to sort by shape.

I.

The diagram shows a sorting activity. At the top, there are two boxes: one labeled "Black" with a black header, and one labeled "Grey" with a grey header. Below these are five shapes: a black square, a grey circle, a black circle, a grey square, and a grey circle. At the bottom, there are two boxes: the left one contains a white circle, and the right one contains a white square. A line connects the black square to the "Black" box, and another line connects it to the right-hand box at the bottom.



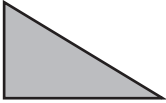
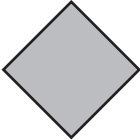


COPYRIGHT © 2017 JUMP MATH: NOT TO BE COPIED.


- Draw lines to sort by colour.
- Draw lines to sort by shape.

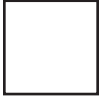
2.

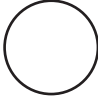
Black

Grey



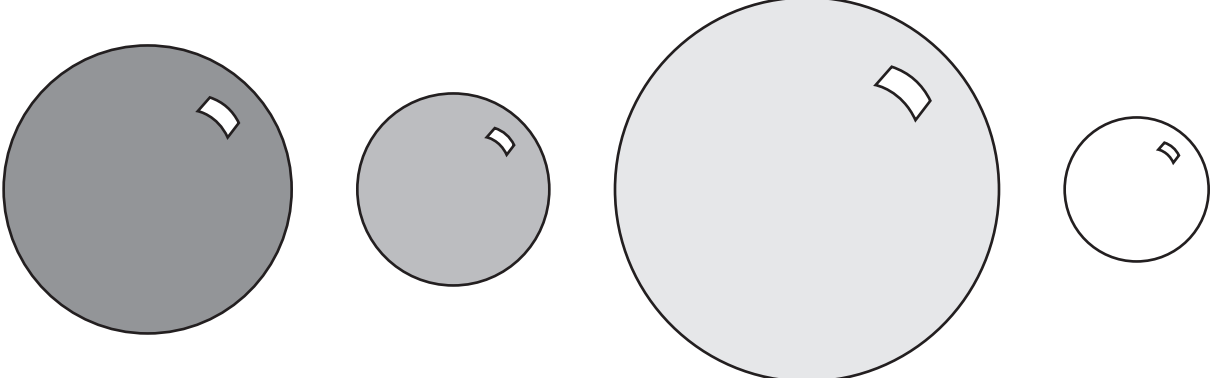




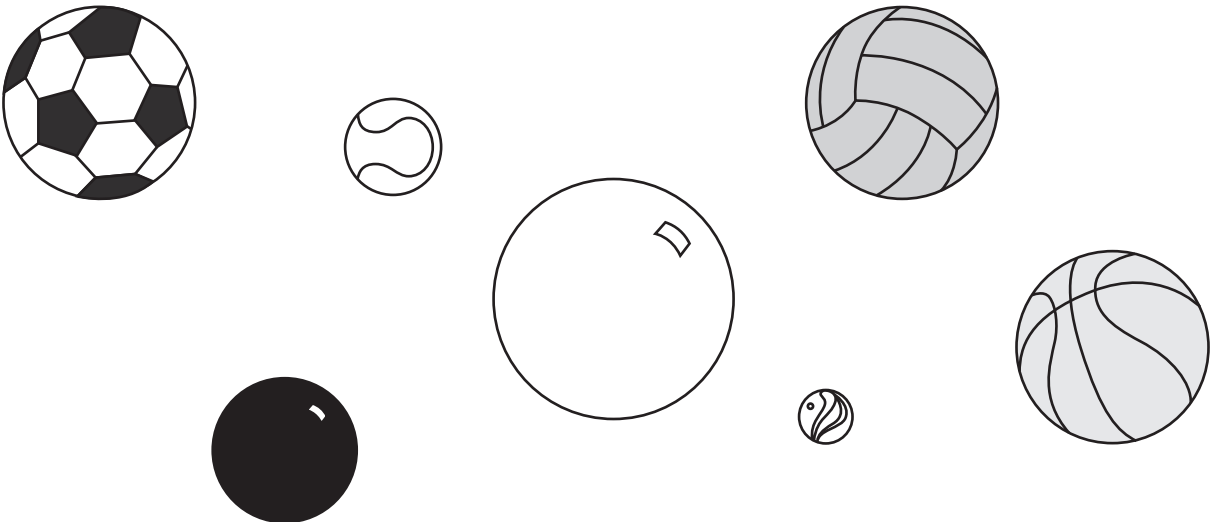
GK-16 Spheres and Cubes

Count the .

1.



2.

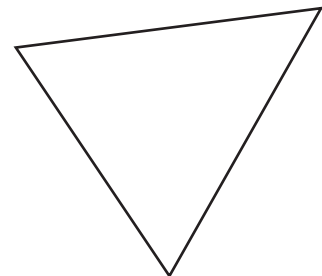
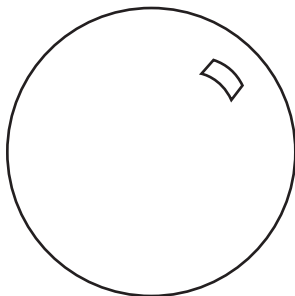
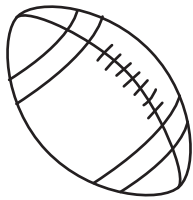
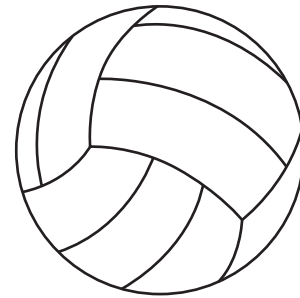
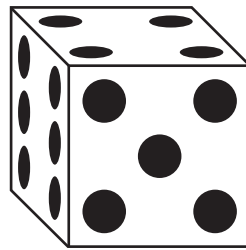
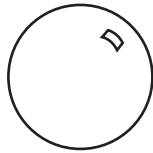
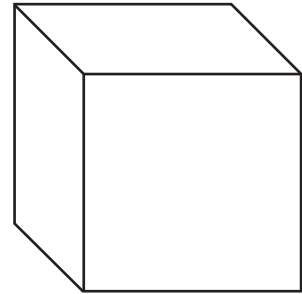
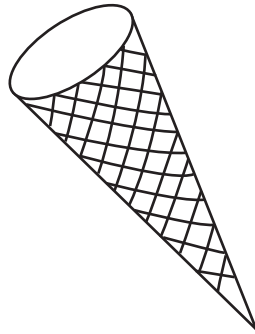


COPYRIGHT © 2017 JUMP MATH. NOT TO BE COPIED.


Colour the ☺.

Draw ✕ on the other shapes.

3.



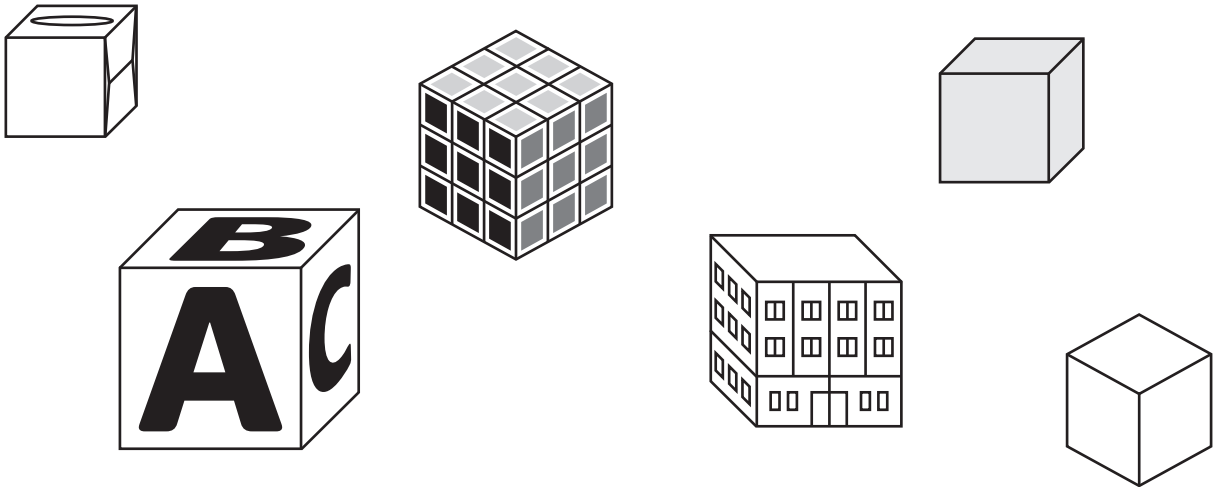
COPYRIGHT © 2017 JUMP MATH: NOT TO BE COPIED.

Count the .

4.

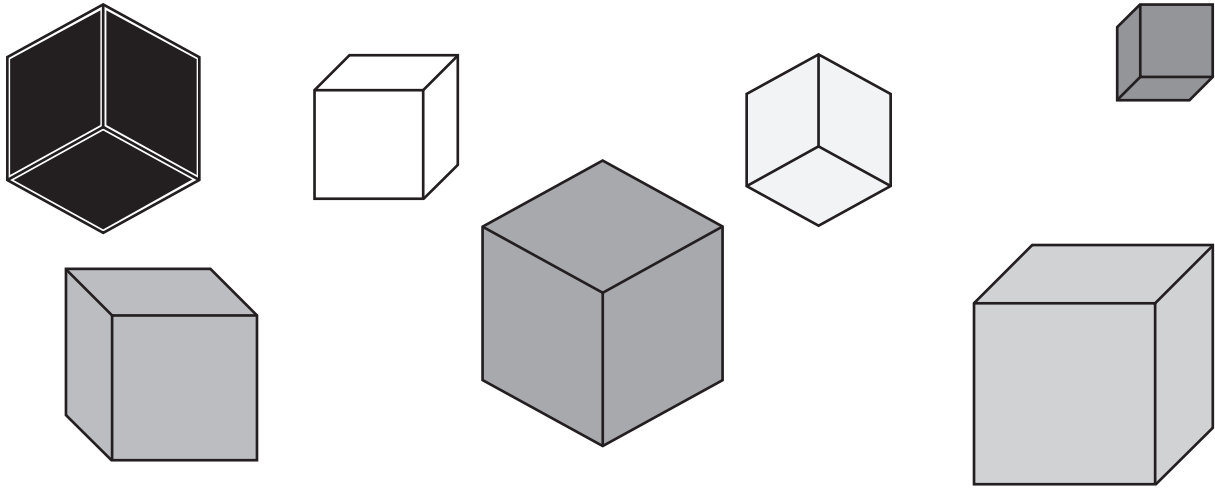


5.

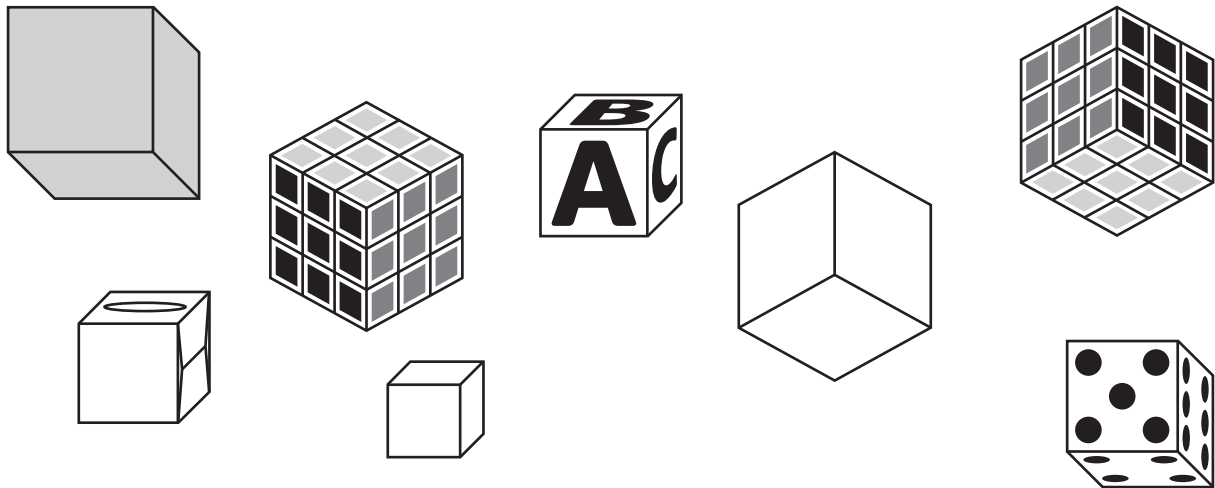


Count the .

6.



7.

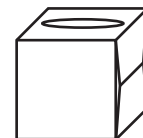
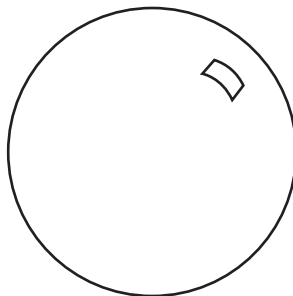
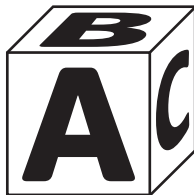
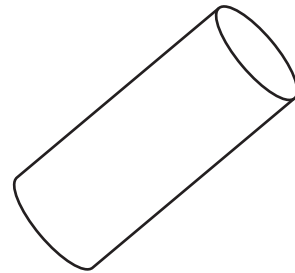
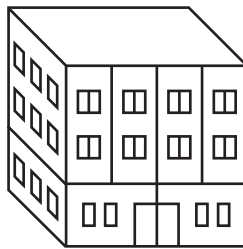
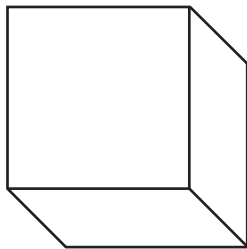
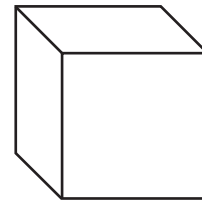
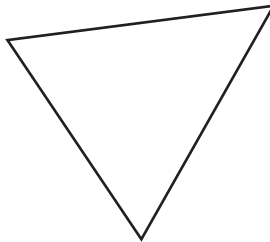
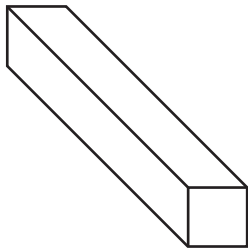
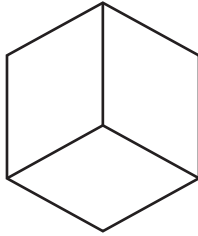


COPYRIGHT © 2017 JUMP MATH: NOT TO BE COPIED.

Colour the .

Draw X on the other shapes.

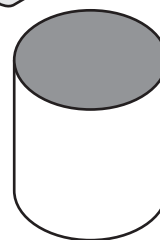
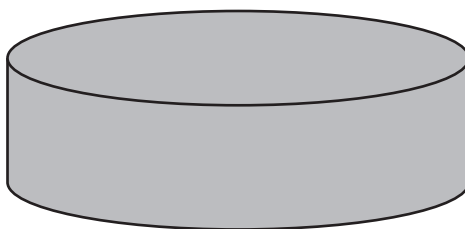
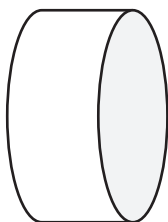
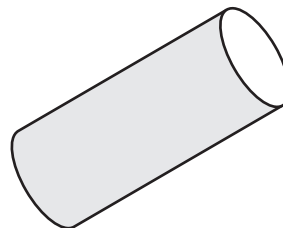
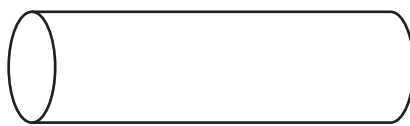
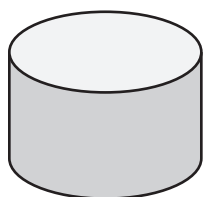
8.



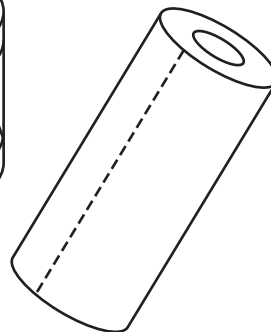
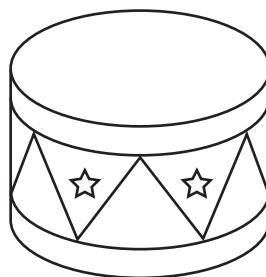
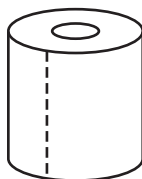
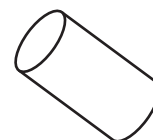
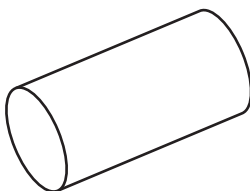
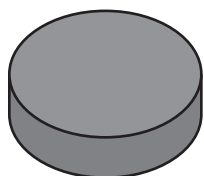
GK-I7 Cylinders and Cones

Count the .

1.



2.



COPYRIGHT © 2017 JUMP MATH: NOT TO BE COPIED.

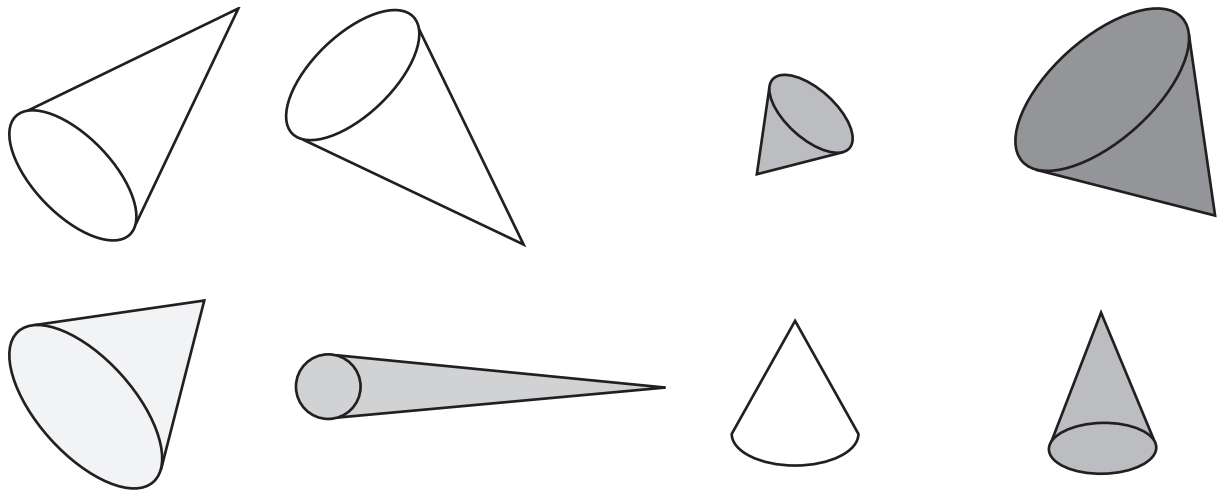
- Colour the .
- Draw X on the other shapes.

3.

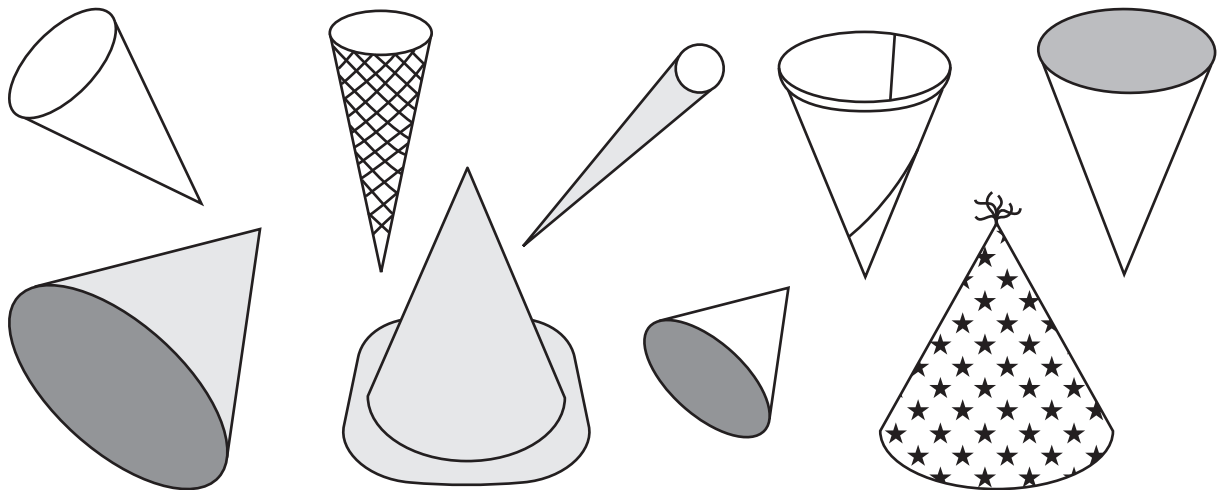
COPYRIGHT © 2017 JUMP MATH. NOT TO BE COPIED.

Count the .

4.



5.

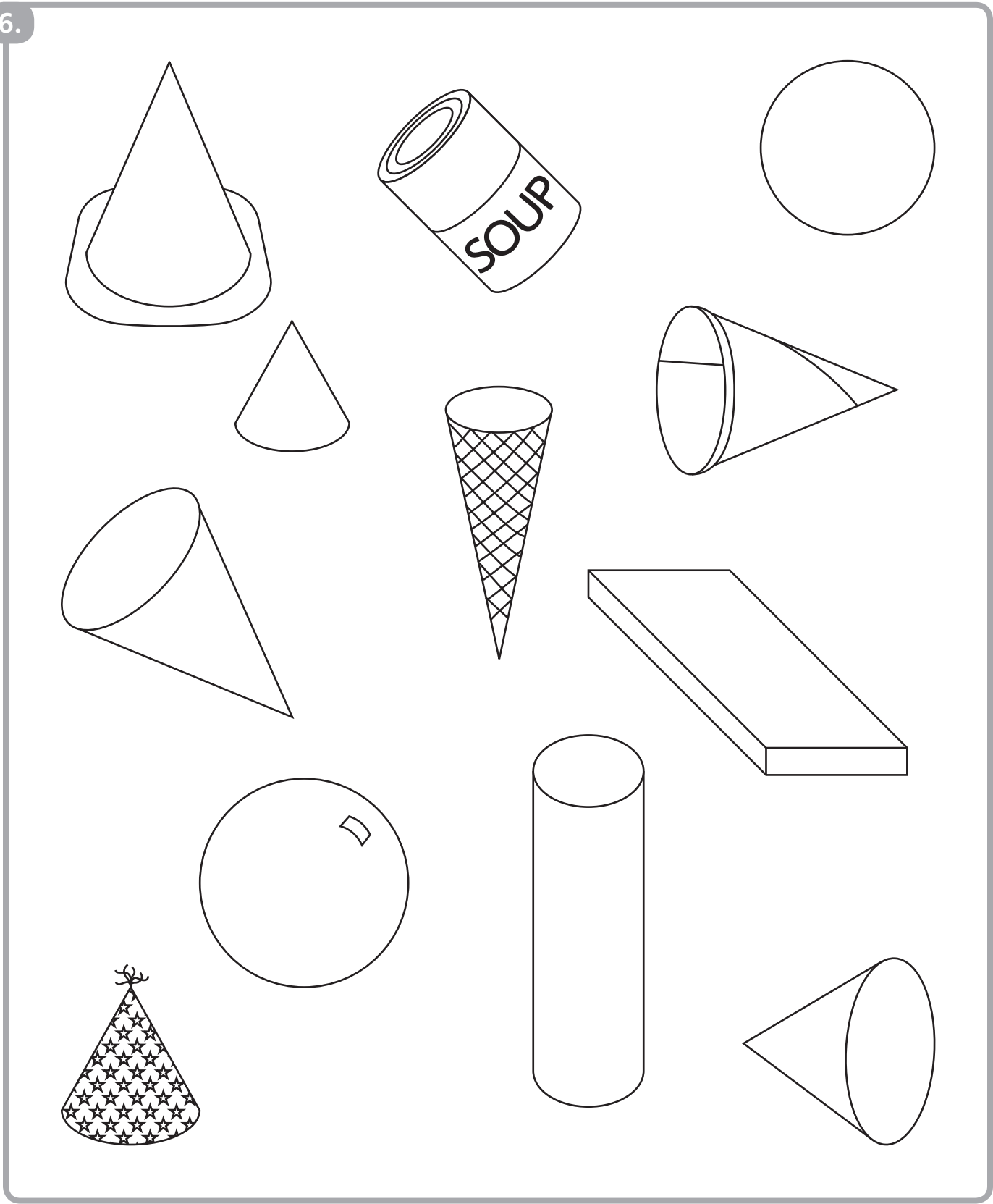


COPYRIGHT © 2017 JUMP MATH: NOT TO BE COPIED.

Colour the .


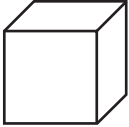
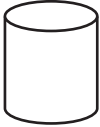
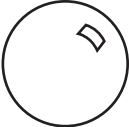
Draw X on the other shapes.

6.



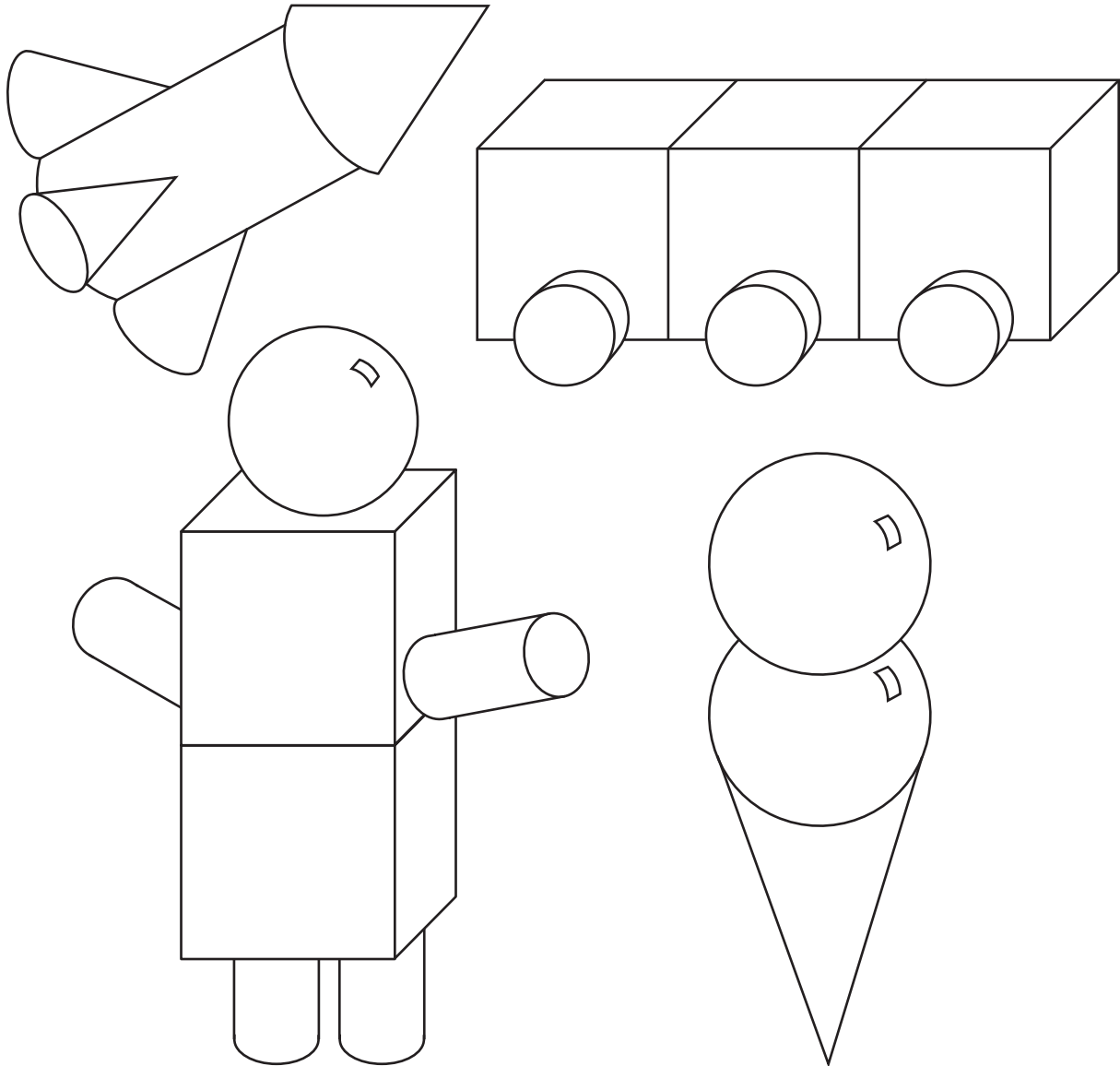
COPYRIGHT © 2017 JUMP MATH. NOT TO BE COPIED.

GK-22 Building Solids

			
yellow	green	red	blue

Colour the solid shapes.


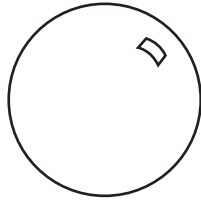
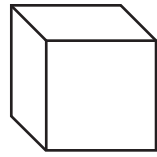
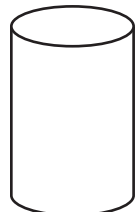
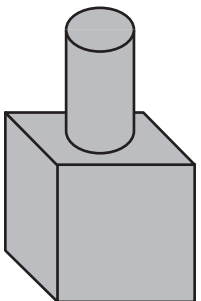
1.



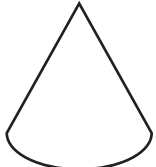
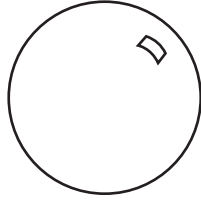
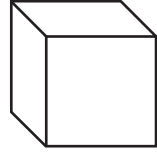
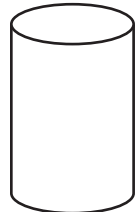
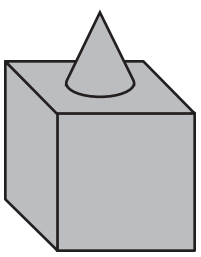
Nora makes a building from blocks.

Circle the shapes she uses.


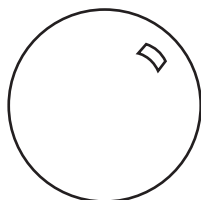
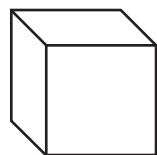
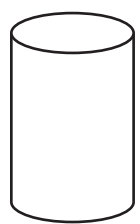
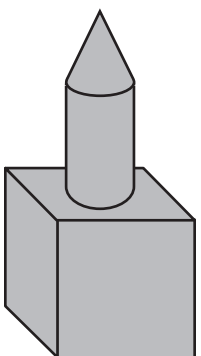
2.



3.



4.

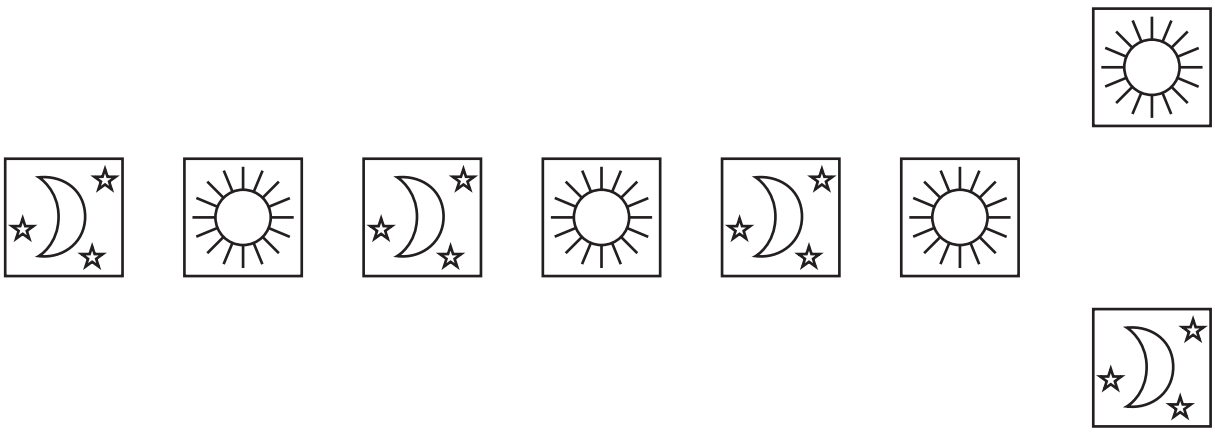


COPYRIGHT © 2017 JUMP MATH: NOT TO BE COPIED.

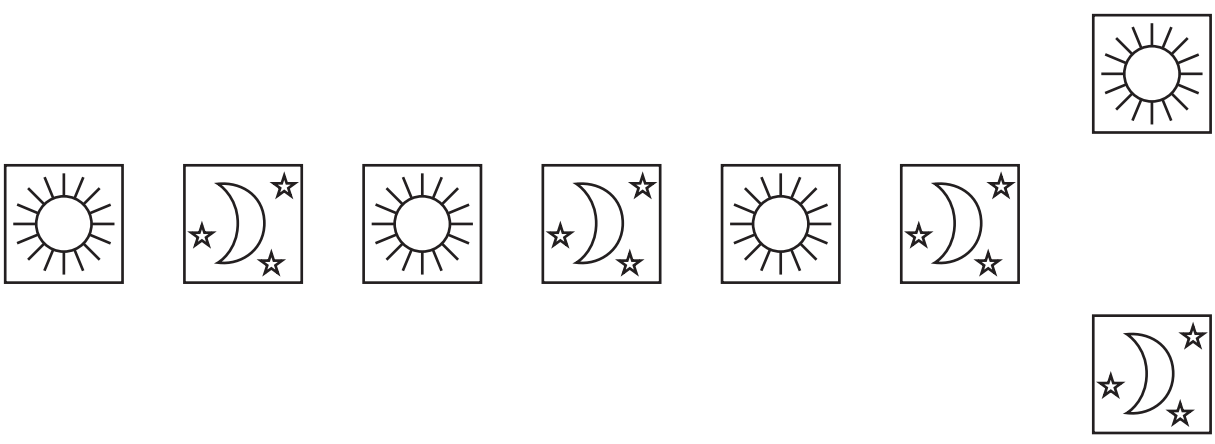
PAK-8 Time Patterns in Nature

Circle what comes next.

1.

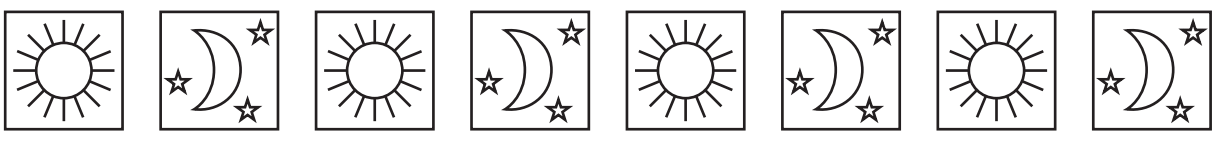


2.



Underline every core.

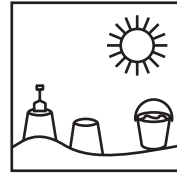
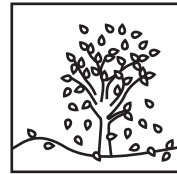
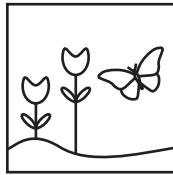
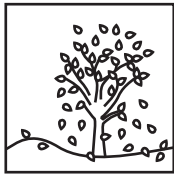
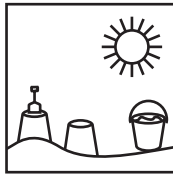
3.



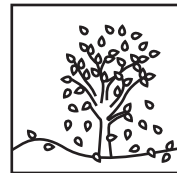
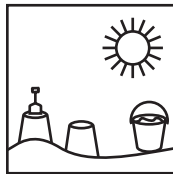
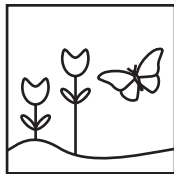
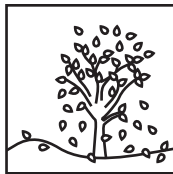
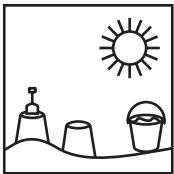
COPYRIGHT © 2017 JUMP MATH: NOT TO BE COPIED.

Circle what comes next.

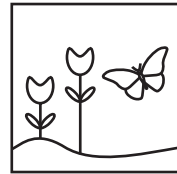
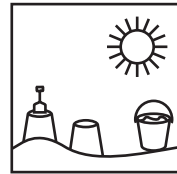
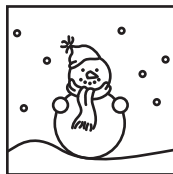
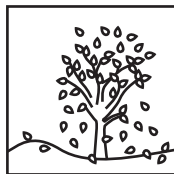
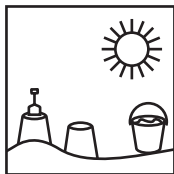
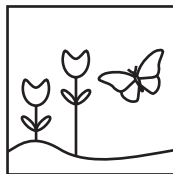
4.



5.



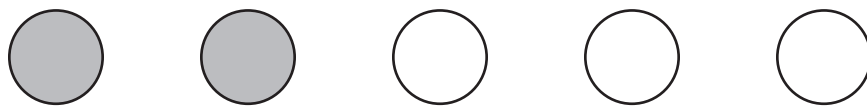
6.



NSK-73 Composing 5

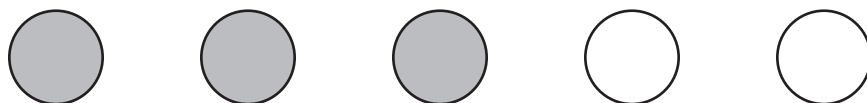
How many more make 5?

1.



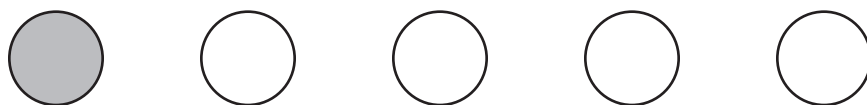
2 plus _____ is 5

2.



3 plus _____ is 5

3.



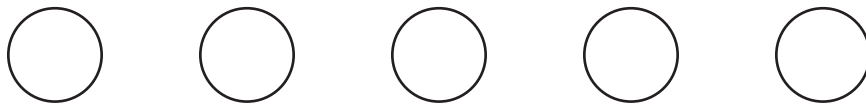
1 plus _____ is 5

COPYRIGHT © 2017 JUMP MATH: NOT TO BE COPIED.

How many more make 5?

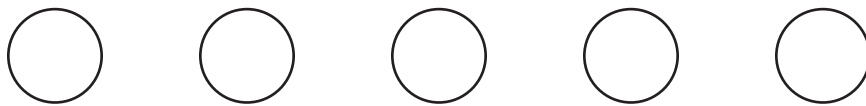
Colour to find out.

4.



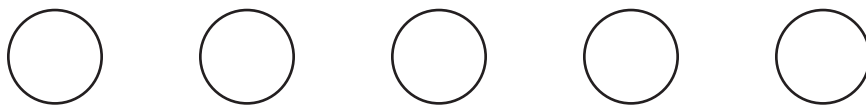
4 plus _____ is 5

5.



1 plus _____ is 5

6.



3 plus _____ is 5

NSK-74 Composing up to 5

How many more make 4?

Colour to find out.

1.



2 plus _____ is 4

2.



3 plus _____ is 4

3.

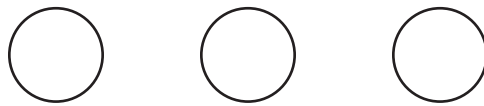


1 plus _____ is 4

How many more make 3?

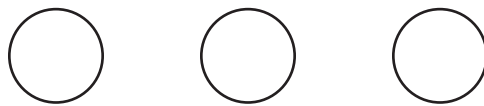
Colour to find out.

4.



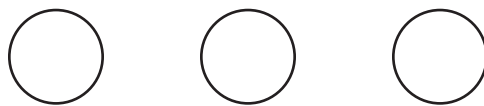
2 plus _____ is 3

5.



1 plus _____ is 3

6. BONUS

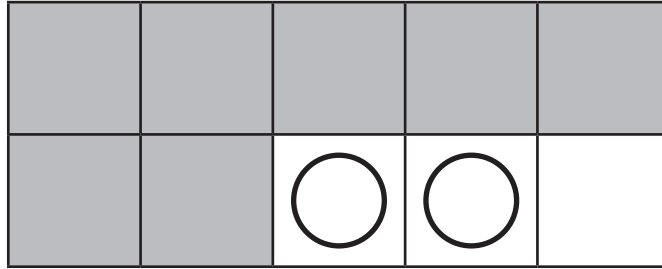


3 plus _____ is 3

NSK-8I Composing up to 10

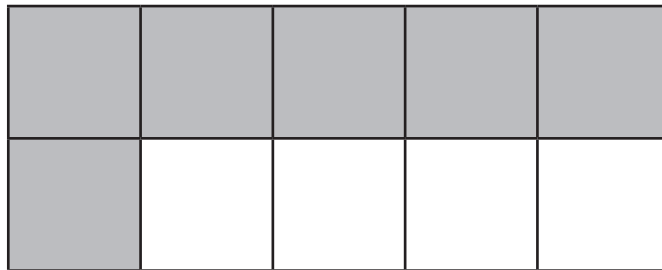
Draw ○ to make the number.

1.



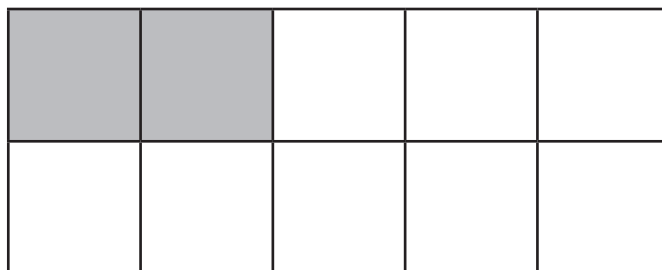
7 plus _____ is 9.

2.



6 plus _____ is 8.

3.



2 plus _____ is 7.

- Colour the first number.
- Draw ○ to make the number.

4.

6 plus _____ is 9.

5.

4 plus _____ is 8.

6.

2 plus _____ is 6.